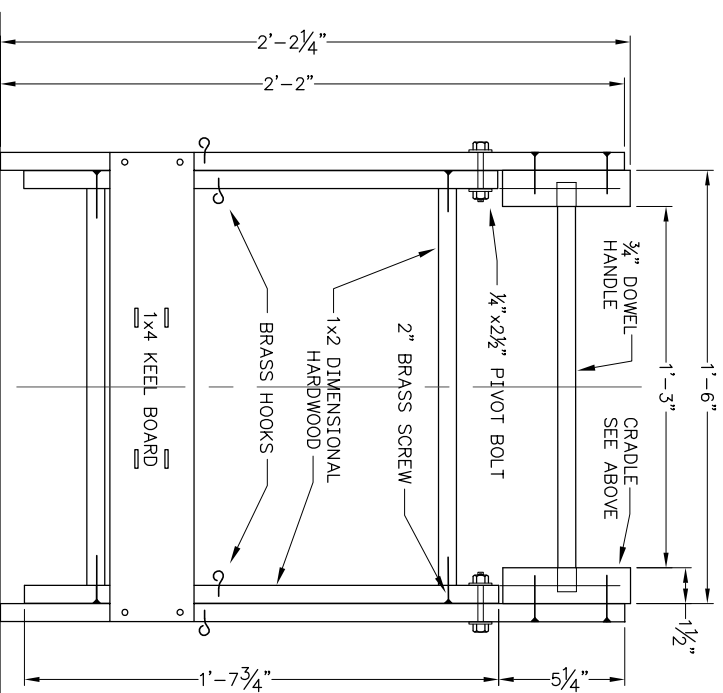
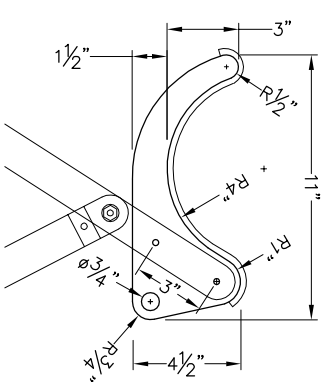


SIDE VIEW

3'-3³/₄"
1 METER

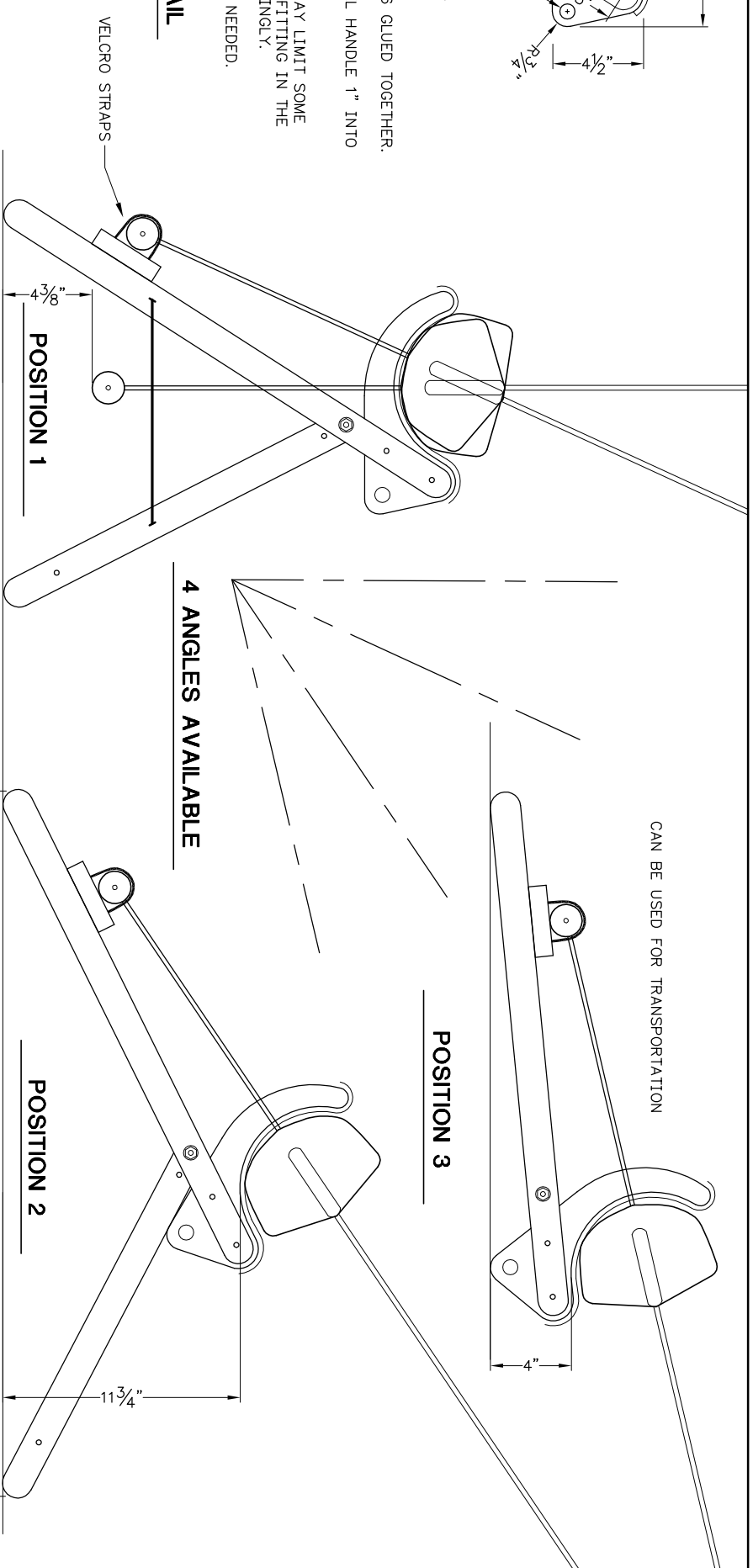


FRONT VIEW



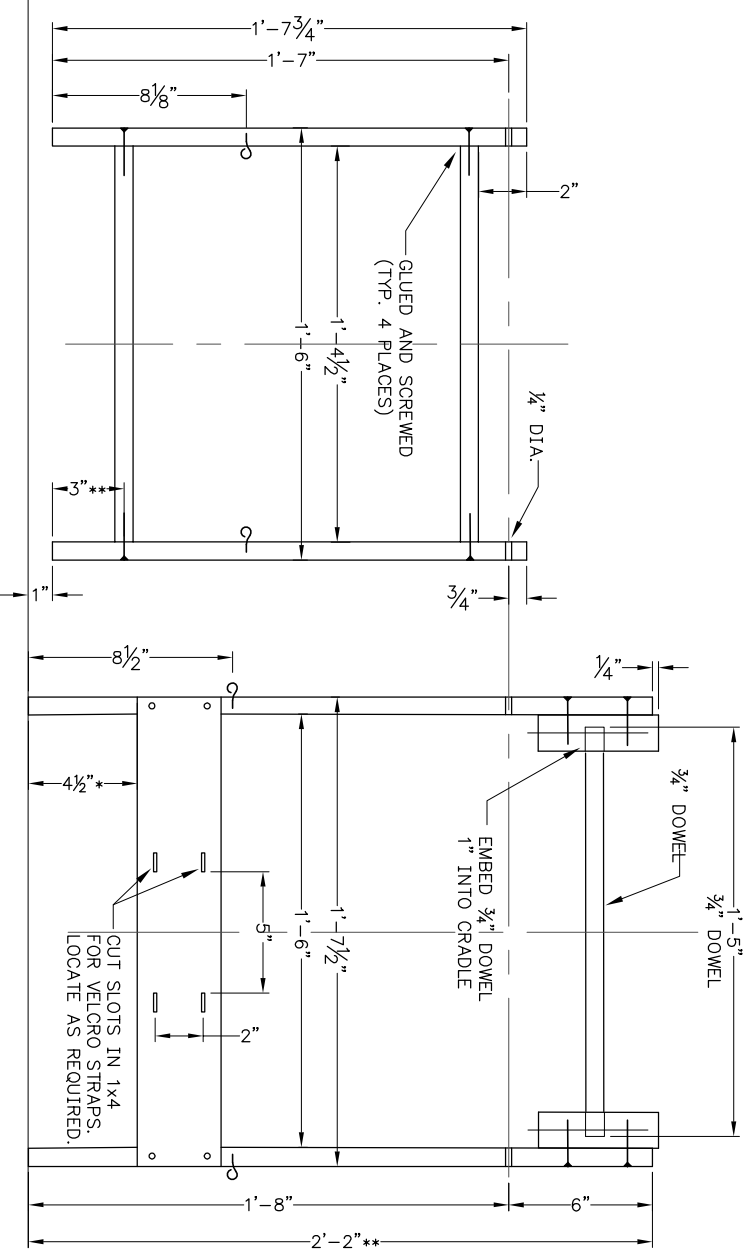
- NOTES:**
1. CRADLE MADE FROM 2-1x6 GLUED TOGETHER.
 2. DRILL 3/8" HOLE FOR DOWEL HANDLE 1" INTO CRADLE.
 3. 4" RADIUS FOR CRADLE MAY LIMIT SOME WIDER HULL TYPES FROM FITTING IN THE CRADLE. ADJUST ACCORDINGLY.
 4. APPLY FOAM PADDING AS NEEDED.

CRADLE DETAIL



CAN BE USED FOR TRANSPORTATION

4 ANGLES AVAILABLE



LITTLE FRAME

BIG FRAME

PARTS LIST

- 2 - 1x2 x 8'
- 1 - 1x6 x 6'
- 1 - 3/4" DOWEL x 2'
- 2 - 1/4"x2 1/2" PIVOT BOLTS, NUTS AND 4 WASHERS
- 4 - BRASS HOOKS
- 12 - 2" BRASS SCREWS
- FOAM PADDING
- VELCRO STRAPS
- STRING
- WOOD GLUE

* VERTICAL LOCATION OF 1x4 KEEL BOARD MAY NEED TO BE ADJUSTED TO EACH INDIVIDUAL BOAT IF YOU WANT THE BULB CENTERED ON THE 1x4.

** AN ADDITIONAL 2" CAN BE CUT OR ADDED FROM THIS AND THE OPPOSING DIMENSIONS FOR A SHORTER OR LONGER STAND IF SO DESIRED.

IOM BOAT STAND

SCALE 1¹/₂" = 1' = 0"